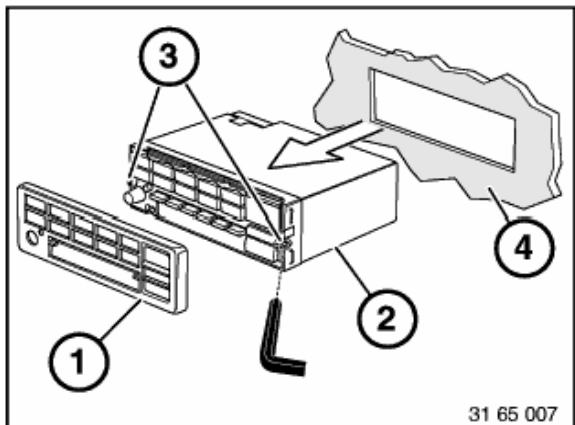


31 65 006

1 Plate

2 Radio



31 65 007

Remove finisher (1), unfasten left or right screws (3) and remove radio (2) through radio aperture.

Remove retaining bracket (1) and remove connector (2) from radio (3).

